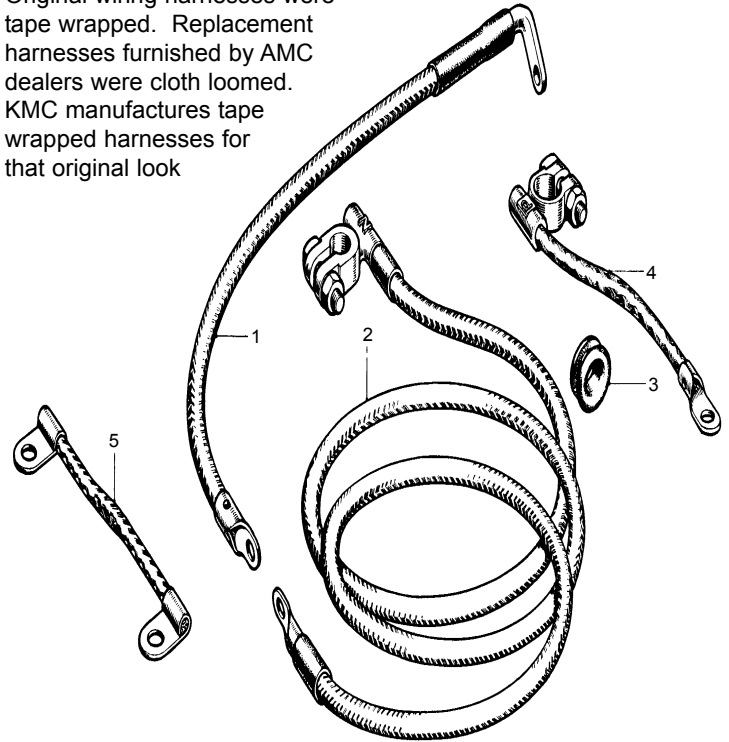
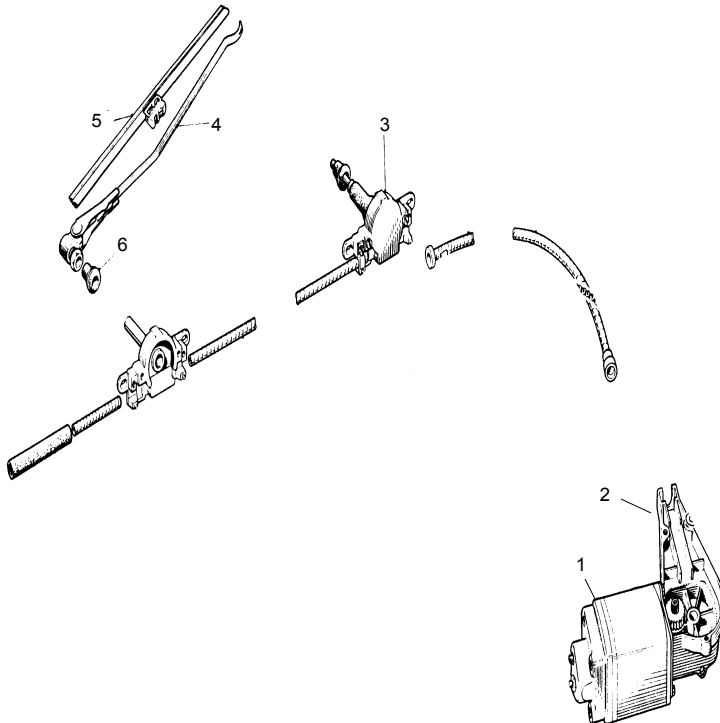


No	Part #	Description	Application	Qty Req	Price Each
1	1B9007	Horn	low note	1	109.45
	1B9008	Horn	high note	1	109.45
2	1G2421	Bracket, RH (U)		1	6.60
	1G2422	Bracket, LH (U)		1	6.60
3	2A6057A	Horn/signal assy (X)	"Nash"	1	175.73
	2A6057	Horn/signal assy (X)	bulls-eye	1	175.73
4	47H5273	Retaining ring		1	35.75
5	811 1450	Horn button	"Nash"	1	45.93
	17H5263	Horn button	bulls-eye	1	41.64
6	330632	Plate, moulding cover support		1	26.40
7	17H5211	Wiring harness		1	39.88
8	2A6058	Stator tube (U)		1	24.20

Original wiring harnesses were tape wrapped. Replacement harnesses furnished by AMC dealers were cloth loomed. KMC manufactures tape wrapped harnesses for that original look



No	Part #	Description	Application	Qty Req	Price Each
1	6K461	Cable, switch/starter		1	32.18
2	1G2577	Cable, battery/switch		1	76.84
3	2H2816	Grommet, battery box		1	5.34
4	1G2576	Cable, battery/ground		1	51.98
5	2K6167	Cable, engine/ground		1	16.12
	5L84	Main harness, eng/dash		1	236.50
	811 1166	Horn harness, horn/horn		1	29.65
	3H2947	Body harness, main/tail		1	76.84
	17H5278	Panel light harness		1	20.52
	811 1167	Headlamp harness		2	17.44
	811 1168	Dip switch harness		1	16.78
	811 LLH1	License lamp harness		1	20.63
	811 STH1	Stop/tail harness		2	16.23
	811 TSH1	Tail/signal harness		2	8.64
	LUC2E	Single connector		A/R	1.27
	LUC4E	Double connector		A/R	1.60
	LUCGC	Ground connector		2	5.78



No	Part #	Description	Application	Qty Req	Price Each
1	14G2404	Wiper motor (X95)		1	159.50
2	27H5465	Gearbox (X25)		1	45.38
3	47H5502A	Wheelbox/cable assy (X25)		1	42.63
4	47H5265	Wiper arm		2	54.84
5	14A9421	Wiper blade		2	16.89
6	14A9422	Grommet		2	9.63