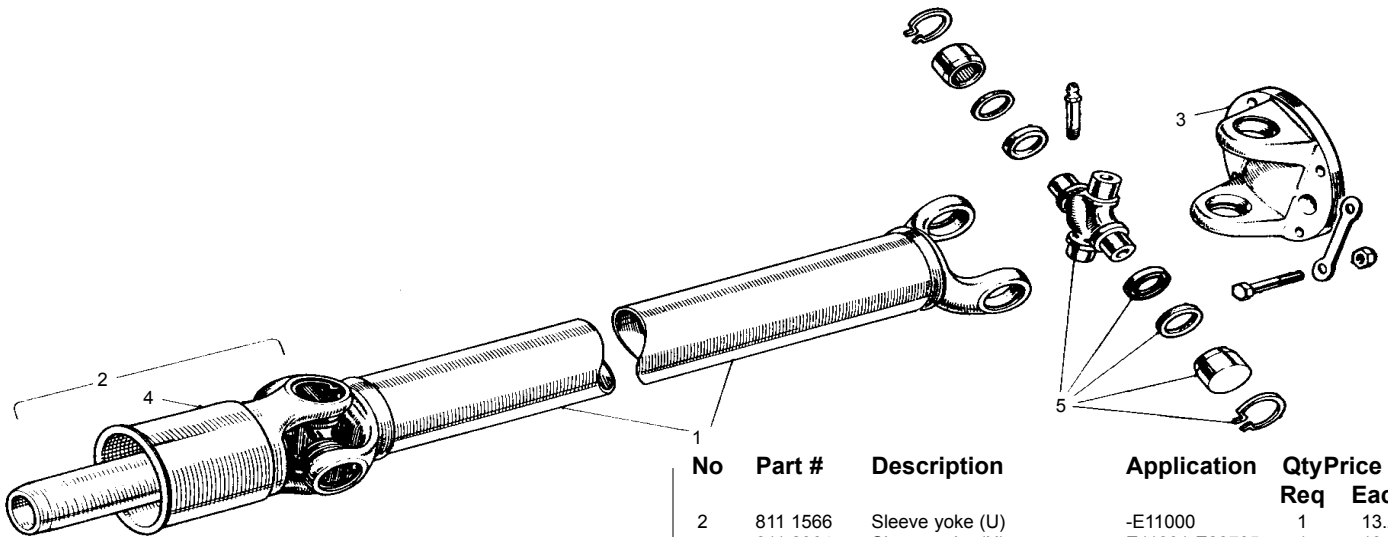


No	Part #	Description	Application	Qty Req	Price Each
1	2A3200	Shift lever (X20)		1	42.90
2	2A3173	Pivot pin		1	5.23
3	2A3190	Knob, gearshift - black		1	14.85
	2A3190A	cream		1	18.98
4	2A3194	Ball		1	-
5	2A3195	Retaining nut		1	-
6	2A3238	Spring		1	-
7	6K9197	Washer		1	-
8	2A3234	Spring retainer		1	-

No	Part #	Description	Application	Qty Req	Price Each
9	2A3181	Operating shaft (U)		1	15.40
10	2A3231	Dust boot		1	-
11	2A3185	Bracket (U)		1	13.20
12	2A3197	Lever, 2 & 3 (U)		1	9.90
13	UHN400	Grease zerk		1	1.93
14	2A3240	Lever, 1 & R (U)		1	9.90
15	2A3257	Shift rod, 1 & R (U)		1	12.10
16	2A3258	Shift rod, 2 & 3 (U)		1	12.10
17	2A3180	Trunion (U)		2	4.95
18	2A3169	Rubber bush		4	10.73

Sloppy shifting? Try replacing the rubber bushes. Remember to always shift in an 'H' pattern, don't cheat and try an 'X', or you may end up locked in two gears at once.



No	Part #	Description	Application	Qty Req	Price Each
1	811 0394A	Drive shaft assy (X50)	-E11000	1	181.50
	811 1802A	Drive shaft assy (X50)	E11001-E28705	1	181.50
	17H3906A	Drive shaft assy (X50)	E28706-	1	181.50
	811 0394	Drive shaft (U)	-E11000	1	28.60
	811 1802	Drive shaft (U)	E11001-E28705	1	28.60
	17H3906	Drive shaft (U)	E28706-	1	28.60

No	Part #	Description	Application	Qty Req	Price Each
2	811 1566	Sleeve yoke (U)	-E11000	1	13.20
	811 2364	Sleeve yoke (U)	E11001-E28705	1	13.20
	17H3921	Sleeve yoke (U)	E28706-	1	13.20
3	7H3863	Flange yoke (U)		1	9.90
4	811 1205	Dust cover (U)	-E11000	1	8.80
	811 1803	Dust cover (U)	E11001-E28705	1	8.80
	1G7593	Dust cover (U)	E28706-	1	8.80
5	8G3000	U-joint		2	27.23

Have your drive shaft balanced for a smoother, vibration free ride.