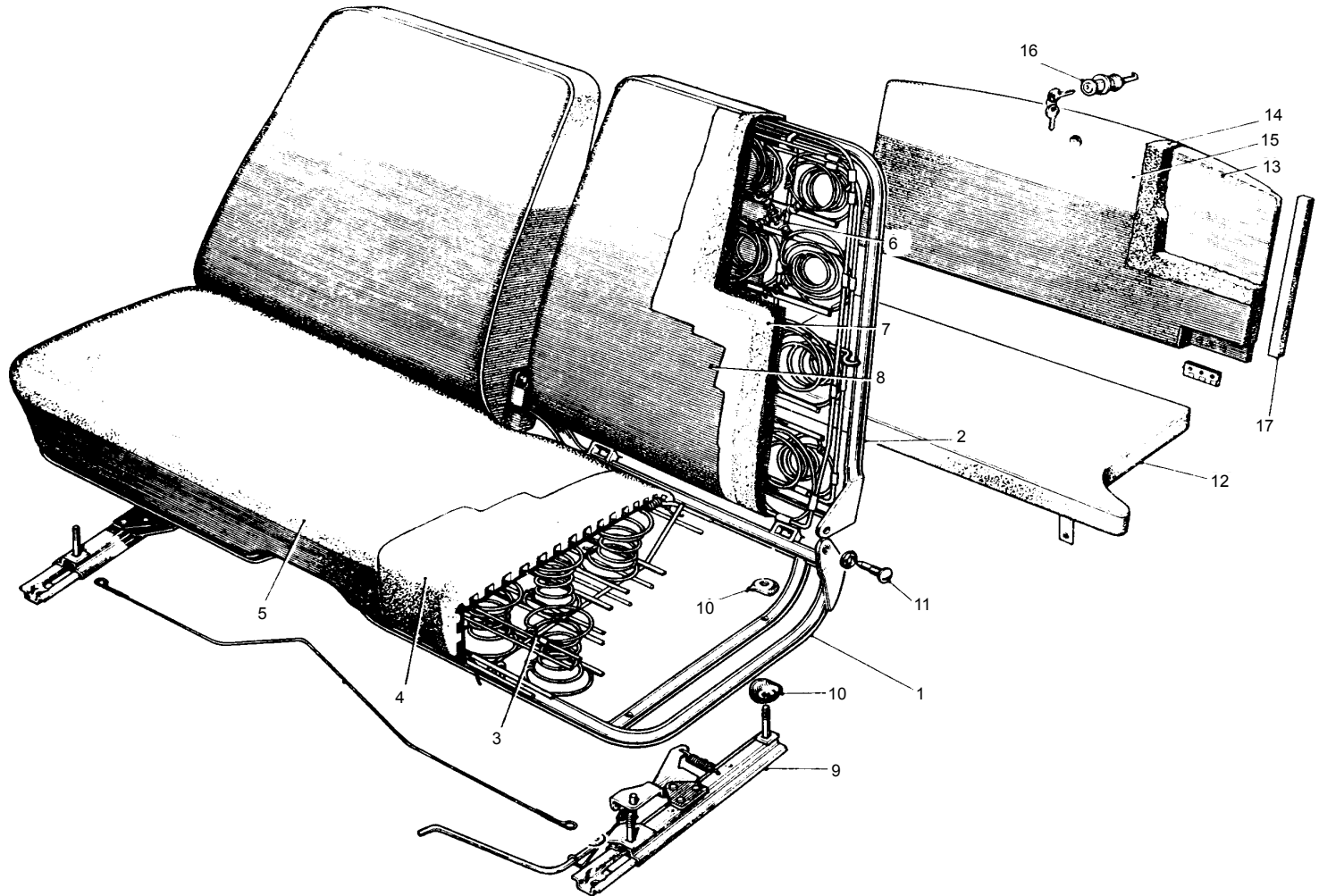


No	Part #	Description	Application	Qty Req	Price Each	No	Part #	Description	Application	Qty Req	Price Each
	811 PK1	Panel kit	541	1	434.50	11	811 1349	Wheelhouse cover, left	540	1	52.25
	811 PK2	Panel kit	542	1	412.50		811 2212	Wheelhouse cover, left	560 no vent	1	49.50
	811 PK3	Panel kit	561 no vent	1	401.50		ALH2769	Wheelhouse cover, left	560 w/vent	1	49.50
	811 PK4	Panel kit	562 no vent	1	357.50	12	811 1346	Belt rail trim	541	1	34.38
	811 PK5	Panel kit	561 w/vent	1	401.50		811 2211	Belt rail trim	561 no vent	1	33.00
	811 PK6	Panel kit	562 w/vent	1	357.50		ALH2697	Belt rail trim	561 w/vent	1	33.00
NOTE: Panel kits include all interior panels, clips & screws required for one car.											
1	811 1337	Door panel, right	540	1	82.50	13	811 1343	Pillar trim, right	541	1	27.50
	811 2203	Door panel, right	560 no vent	1	73.70		811 2195	Pillar trim, right	561 no vent	1	26.40
	ALH2740	Door panel, right	560 w/vent	1	73.70		ALH2760	Pillar trim, right	561 w/vent	1	26.40
2	811 1336	Door panel, left	540	1	82.50	14	811 1342	Pillar trim, left	541	1	27.50
	811 2202	Door panel, left	560 no vent	1	73.70		811 2194	Pillar trim, left	561 no vent	1	26.40
	ALH2741	Door panel, left	560 w/vent	1	73.70		ALH2761	Pillar trim, left	561 w/vent	1	26.40
3	ALH1753	Clip		24	0.94	15	811 1351	Heelboard trim	540	1	29.70
4	811 1339	Quarter panel, right	542	1	46.20		811 2209	Heelboard trim	561 no vent	1	28.05
	811 2199	Quarter panel, right	562 no vent	1	41.80		ALH2766	Heelboard trim	561 w/vent	1	29.70
	ALH2748	Quarter panel, right	562 w/vent	1	41.80	16	811 1335	Cowl trim, right	540	1	25.85
5	811 1338	Quarter panel, left	542	1	46.20		811 2192	Cowl trim, right	560 no vent	1	27.50
	811 2198	Quarter panel, left	562 no vent	1	41.80		ALH2850	Cowl trim, right	560 w/vent	1	27.50
	ALH2749	Quarter panel, left	562 w/vent	1	41.80		811 1334	Cowl trim, left	540	1	29.70
6	811 1341	Quarter panel, right	541	1	41.80		811 2191	Cowl trim, left	560 no vent	1	27.50
	811 2201	Quarter panel, right	561 no vent	1	40.70		ALH2851	Cowl trim, left	560 w/vent	1	27.50
	ALH2750	Quarter panel, right	561 w/vent	1	40.70	17	ALH2674	Trunk lid trim	560 w/trunk lid	1	17.05
7	811 1340	Quarter panel, left	541	1	41.80	18	811 1157	Moulding	540	2	-
	811 2200	Quarter panel, left	561 no vent	1	40.70		811 2289	Moulding	560 no vent, right	1	-
	ALH2751	Quarter panel, left	561 w/vent	1	40.70		811 2288	Moulding	560 no vent, left	1	-
8	811 1348	Strainer trim, right	540	1	12.65		ALH2623	Moulding	560 w/vent	2	-
	811 2197	Strainer trim, right	560 no vent	1	12.10	19	ALH1803	Floor mat, front		1	86.90
	ALH2756	Strainer trim, right	560 w/vent	1	12.10		ALH1804	rear		1	39.88
9	811 1347	Strainer trim, left	540	1	12.65		21	ALH1806	right side	1	6.05
	811 2196	Strainer trim, left	560 no vent	1	12.10		22	ALH1807	left side	1	6.05
	ALH2757	Strainer trim, left	560 w/vent	1	12.10	23	ALH2700	trunk		1	40.15
10	811 1350	Wheelhouse cover, right	540	1	52.25		ALH1803A	Carpet set	front & rear	1	247.50
	811 2213	Wheelhouse cover, right	560 no vent	1	49.50	24	ALH1538	Door seal		2	10.95
	ALH2768	Wheelhouse cover, right	560 w/vent	1	49.50		122-8008	Super Weatherstrip Adhesive, 5 oz (black)		1	18.43
						25	811 1333	Stormstrip, beige	540	4	14.58
							439 1230	gray	560 no vent	4	14.58
							ALH2789	black	560 w/vent	4	14.58



No	Part #	Description	Application	Qty Req	Price Each
	811 UK1	Upholstery kit	540	1	533.50
	811 UK2	Upholstery kit	560 no vent	1	478.50
	811 UK3	Upholstery kit	560 w/vent	1	478.50
NOTE: Upholstery kits contain front seat backs, front seat bottom, rear seat back, rear seat cushion & wheelhouse covers.					
1	811 0724	Bottom frame (U)	1 3/8" rise	1	38.50
	ALH2611	Bottom frame (U)	1 7/8" rise	1	38.50
2	811 0726	Right frame (U)	1 3/8" rise	1	20.90
	ALH2612	Right frame (U)	1 7/8" rise	1	20.90
	811 0725	Left frame (U)	1 3/8" rise	1	20.90
	ALH2613	Left frame (U)	1 7/8" rise	1	20.90
3	811 0672	Seat spring, bottom (U)	1 3/8" rise	1	68.20
	ALH2621	Seat spring, bottom (U)	1 7/8" rise	1	68.20
4	ALH1679	Padding		1	59.40
5	811 1354	Upholstery, bottom	540	1	163.90
	811 2206	Upholstery, bottom	560 no vent	1	149.60
	ALH2704	Upholstery, bottom	560 w/vent	1	149.60
6	811 0669	Seat spring, right (U)	1 3/8" rise	1	23.10
	ALH2618	Seat spring, right (U)	1 7/8" rise	1	23.10
	811 0668	Seat spring, left (U)	1 3/8" rise	1	23.10
	ALH2619	Seat spring, left (U)	1 7/8" rise	1	23.10
7	ALH2662	Padding, right or left		2	36.30
8	811 1353	Upholstery, right	540	1	114.40
	811 2205	Upholstery, right	560 no vent	1	97.90
	ALH2712	Upholstery, right	560 w/vent	1	97.90
	811 1352	Upholstery, left	540	1	114.40
	811 2204	Upholstery, left	560 no vent	1	97.90
	ALH2713	Upholstery, left	560 w/vent	1	97.90
	ALH2713	Upholstery, left	560 w/vent	1	89.00

No	Part #	Description	Application	Qty Req	Price Each
9	811 0666	Slide, right (U)	1 3/8" rise	1	104.50
	ALH2656	Slide, right (U)	1 7/8" rise	1	104.50
	811 0665	Slide, left (U)	1 3/8" rise	1	104.50
	ALH2657	Slide, left (U)	1 7/8" rise	1	104.50
10	ALG573	Seating washer (U)		8	5.78
11	ALH1671	Pin		2	43.95
12	811 1355	Rear cushion	540	1	114.40
	811 2208	Rear cushion	560 no vent	1	101.20
	ALH2724	Rear cushion	560 w/vent	1	101.20
13	ALH2616	Wood frame		1	80.30
14	ALH1728	Padding		1	17.60
15	811 1357	Upholstery	540	1	82.50
	811 2210	Upholstery	560 no vent	1	73.70
	ALH2733	Upholstery	560 w/vent	1	73.70
16	811 2334	Lock w/key		1	27.23
17	ALH1732	Strainer seal		2	3.58

High quality interior kits are manufactured by KMC with the correct stitching and materials for that original factory look and fit.

UPHOLSTERY SUPPLIES - Pig rings are used to attach the upholstery to the seat frame and are installed using special 'hog ring' pliers.

TL-HRP	Hog ring pliers	1	25.85
FN-PR	Pig rings, box	1	7.54
SB-CB-B	Seat belt, black w/chrome buckle	2	65.73