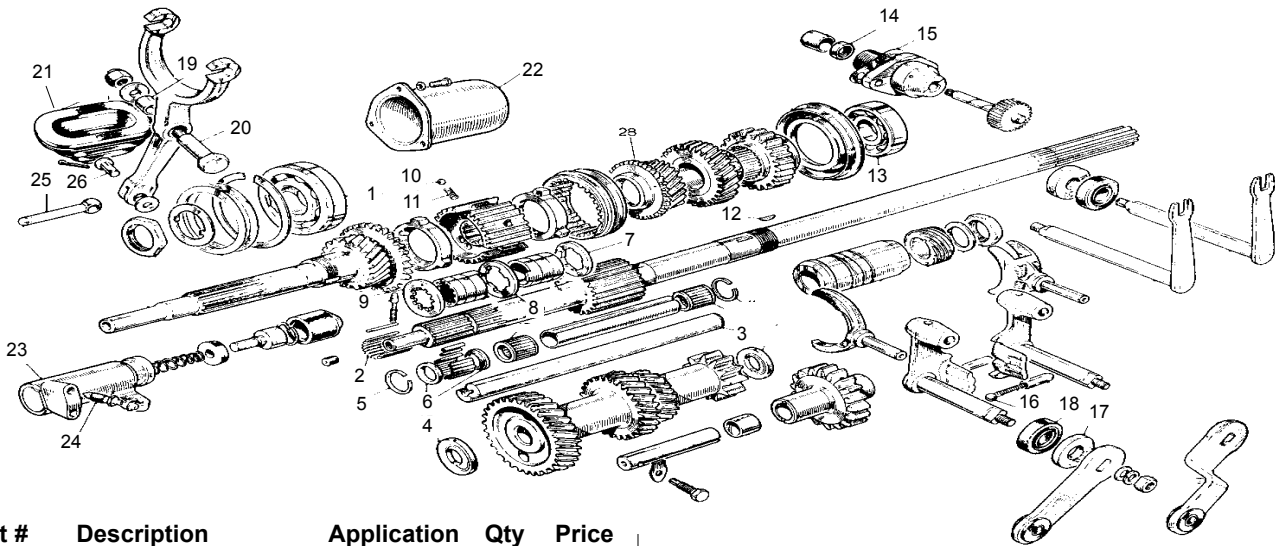


No	Part #	Description	Application	Qty Req	Price Each	No	Part #	Description	Application	Qty Req	Price Each
	811 2907	Gearbox (X295)	-E11000	1	1039.50	3	2K4971	Washer		2	-
	811 1804	Gearbox (X95)	E11001-E27904	1	984.50	4	1G3418	Bushing	E11001-	1	-
	811 2257	Gearbox (X95)	E27905-E28705	1	984.50	5	811 2268	Seal	-E11000	1	76.73
	811 2362	Gearbox (X95)	E28706-E59047	1	984.50		1H3339	Seal	E28706-	1	14.58
	22H10	Gearbox (X95)	E59048-	1	984.50	6	1H3364	Breather		1	7.43
	TS13643	Gasket set	-E11000	1	28.60	7	1G3802	Level indicator	E11001-	1	83.33
	HJ007	Gasket set	E11001-	1	10.18						
1	6K499	Drain plug	E11001-	1	5.34						
2	1H3138	Oil seal	E59048-	1	5.45						



No	Part #	Description	Application	Qty Req	Price Each	No	Part #	Description	Application	Qty Req	Price Each
1	811 0435	Bearing	-E11000	1	72.05	17	2K8961	Felt ring		2	9.63
	6K885	Bearing	E11001-	1	55.83	18	1B3343	Oil seal		2	19.64
2	6K892	Needle bearing	E11001-	18	1.82	19	11G3195	Bushing	560	1	3.58
3	11G3123	Layshaft	E11001-	1	41.25	20	11G3196	Bolt	560	1	13.92
4	1G3576	Thrust washer	E11001-	1	20.85	21	1G3667	Dust boot	E11001-	1	9.85
5	11G3027	Spring ring	E11001-	1	1.38	22	811 0501	Cover (U)	-E11000	1	19.80
6	3H2865	Needle bearing	E11001-	3	26.95		811 1878	Cover (U)	E11001-E59047	1	17.60
7	1G3492	Thrust washer	E11001-	1	-		1H3315	Cover (U)	E59048-	1	17.60
8	1G3331	Lock ring	E11001-	1	18.43	23	811 1875	Slave cylinder	E11001-E59047	1	161.15
9	11G3127	Thrust washer, .1565-75"	E11001-	A/R	5.89		13H296	Slave cylinder	E59048-	1	203.50
10	BLS109	Locating ball		3	1.49		811 2079	Repair kit, slave cylinder		1	12.49
11	6K884	Spring	E11001-	3	3.91	24	7H4973	Bleed screw	E11001-	1	4.13
12	WKN304	Key	E11001-	1	1.10	25	1B3701	Pushrod		1	19.53
13	6K528	Bearing		1	55.50	26	2K5622	Pin	E11001-	1	1.60
14	811 0472	Oil seal	540 8-37 axle	1	18.98						
	2A3254	Oil seal	9-41 axle	1	8.53						
15	811 0474	Gasket	540 8-37 axle	1	4.68						
	811 1868	Gasket	-E28705 9-41	1	4.68						
	11G3228	Gasket	E28706-	1	4.68						
16	BLS109	Ball	E11001-	1	1.49						

Grinding of gears or hard shifting are frequently caused by the use of improper gearbox lubricant. See your owners handbook for lubrication specifications.