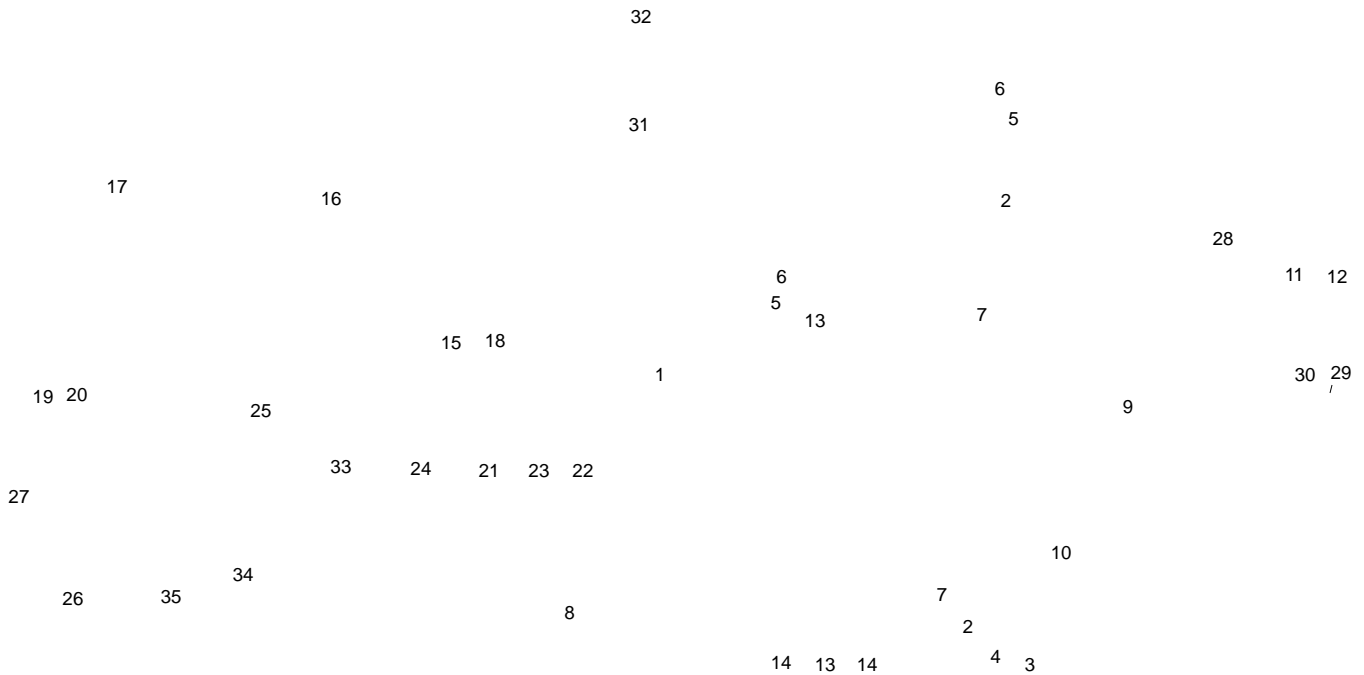
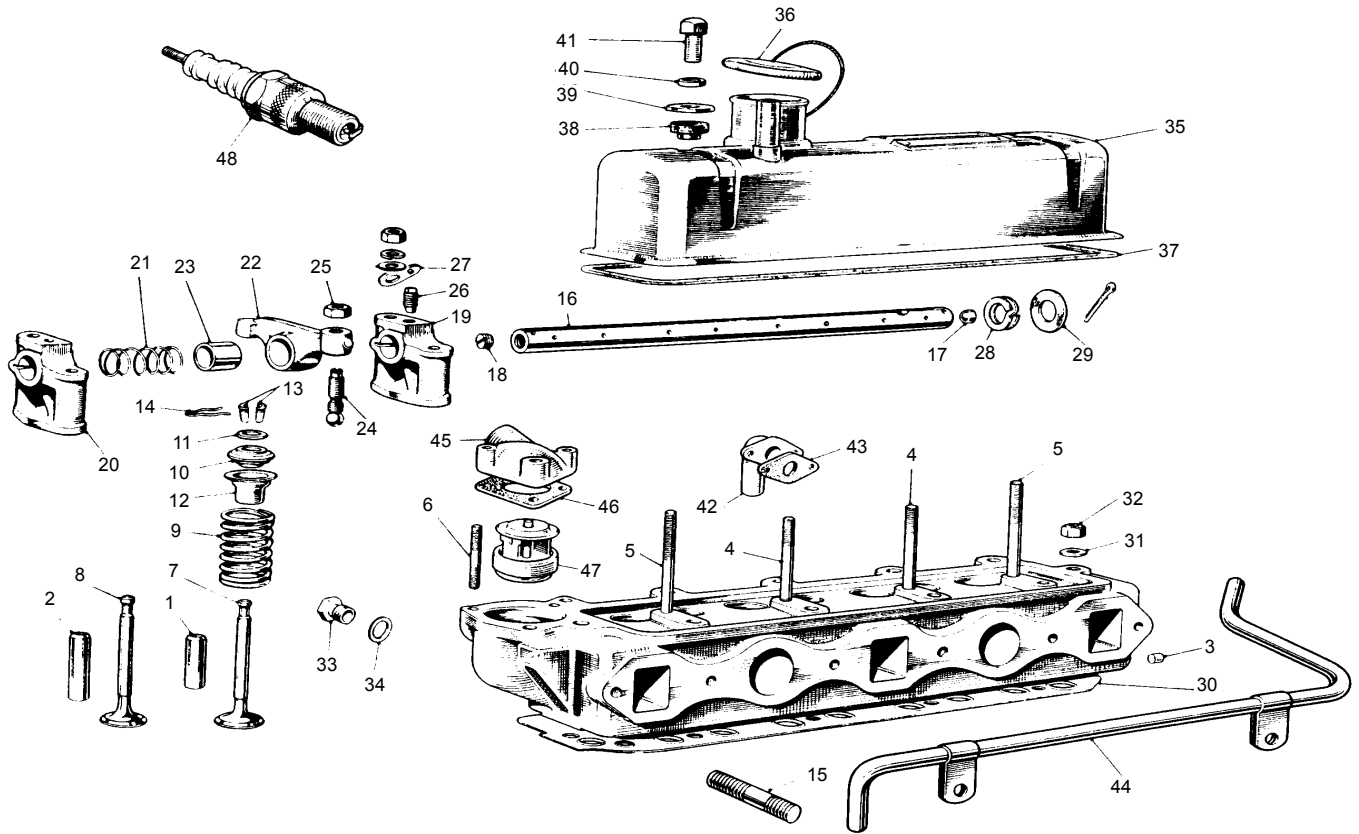


No	Part #	Description	Application	Qty Req	Price Each	No	Part #	Description	Application	Qty Req	Price Each
	G4-366	Head gasket set	-E11000	1	203.50	16	811 0010	Stud	-E11000	2	15.68
	48G119	Head gasket set	E11001-	1	38.34		53K257	Stud	E11001-	2	1.93
	EB260	Conversion set	-E11000	1	68.75	17	1G752	Dowel		2	1.82
	48G138	Conversion set	E11001-	1	34.93	18	1G1896	Piston set, std.	1G prefix	1	434.50
	811 EP1	Engine paint	aerosol	1	24.75		1G1896F	0.01			313.50
							1G1896A	0.02			434.50
	SRG-14	Engine assy (X600)	1G prefix	1	3547.50		1G1896B	0.03			434.50
	8G120	Engine assy (X300)	2G prefix	1	3217.50		1G1896D	0.04			434.50
	48G200	Engine assy (X300)	1H prefix	1	3217.50		8G643	Piston set, std.	2G prefix	1	434.50
	48G199	Engine assy (X300)	A/C/FNH	1	3217.50		8G064310	0.01			434.50
							8G064320	0.02			434.50
1	G4-285	Cylinder block (U)	1G prefix	1	214.50		8G064330	0.03			434.50
	38G249	Cylinder block (U)	2G prefix	1	214.50		8G064340	0.04			434.50
	48G205	Cylinder block (U)	1H prefix	1	214.50		48G144	Piston set, std.	1H prefix	1	467.50
	48G204	Cylinder block (U)	A/C/FNH	1	231.00		48G014410	0.01			467.50
2	2K8169	Welch plug		4	1.38		48G014420	0.02			467.50
3	2K8623	Plug		A/R	3.69		48G014430	0.03			467.50
4	1H813	Plug	1500	1	7.15		48G014440	0.04			467.50
5	6K874	Plug, taper	E11001-	2	5.78		48G153	Piston set, std	A/C/FNH	1	467.50
6	2K4992	Plug, screw	1500	1	10.73		48G015320	0.02			467.50
7	6K638	Washer	1500	1	0.83		48G015330	0.03			467.50
8	6K899	Plug	E11001-	2	1.93		48G015340	0.04			467.50
9	11G14	Plug		1	3.69		48G015360	0.06			533.50
10	811 0007	Stud	-E11000	6	23.10	19	811 0102	Ring set, std.	1200	1	78.65
	51K894	Stud	E11001-	6	12.60		811 2153	Ring set, std.	1500	1	58.85
11	811 0015	Nut	-E11000	6	9.08	20	811 2086	Pin set - std.	1500	1	4.40
	LNN208	Nut	E11001-	6	2.26		811 2088	0.001			4.40
12	811 0012	Cam bearing set	-E11000	1	71.50		811 2090	0.003			4.40
	8G2176	Cam bearing set	E11001-	1	40.65	21	3H576	Drain tap		1	33.83
13	2K8621	Stud, long	-E11000	4	21.73	22	2K4954	Washer		1	0.94
	51K252	Stud, long	E11001-	4	7.65	23	1A2089	Mounting plate (U)	-E11000	1	26.40
14	2K8622	Stud, short	-E11000	7	21.18		11G96	Mounting plate (U)	E11001-	1	19.80
	51K253	Stud, short	E11001-	7	5.34		11G97	Gasket	E11001-	1	3.58
15	811 0011	Stud	-E11000	3	20.63						
	51K267	Stud	E11001-	2	5.45						

Note: Piston sets include rings and pins



No	Part #	Description	Application	Qty	Price	No	Part #	Description	Application	Qty	Price
				Req	Each					Req	Each
1	1G1456	Connecting rod, 1 & 3 (U)	1G prefix	2	34.10	14	1F775	Thrust brng set	-E11000	1	31.63
	11G126	Connecting rod, 1 & 3 (U)	2G prefix	2	34.10		1G2331	Thrust brng set	E11001-	1	14.25
	1H703	Connecting rod, 1 & 3 (U)	1500	2	34.10	15	1A2031	Camshaft (X95)	-E11000	1	93.50
2	1G1454	Connecting rod, 2 & 4 (U)	1G prefix	2	34.10		11G149	Camshaft (X50)	E11001-	1	93.50
	11G124	Connecting rod, 2 & 4 (U)	2G prefix	2	34.10	16	11G136	Locating plate	E11001-	1	60.78
	1H701	Connecting rod, 2 & 4 (U)	1500	2	34.10	17	11G203	Camshaft gear	E11001-	1	39.33
3	811 0089	Bolt	-E11000	8	23.10	18	WKN505	Key	E11001-	1	0.94
	51K1388	Bolt	E11001-	8	21.40	19	6K629	Nut	E11001-	1	8.58
4	6K881	Lockplate	E11001-	4	2.92	20	2A759	Locktab	E11001-	1	1.82
5	2K8776	Bolt	-E11000	4	9.63	21	1A2028	Crankshaft gear		1	38.89
	51K1382	Bolt	E11001-	4	4.02	22	2H326	Key		2	2.42
6	2K5319	Lockwasher		4	0.83	23	2K6633	Packing washer		A/R	2.92
7	P213	Rod brng set, std.	-E11000	1	235.00	24	1A1546	Oil thrower		1	3.91
	P213A	0.01			235.00	25	2H4905	Timing chain		1	17.05
	P213B	0.02			235.00	26	17H343	Tensioner	E11001-	1	16.78
	P213C	0.03			235.00	27	AEC340	Locktab	E11001-	1	1.27
	P213D	0.04			235.00	28	1G1234	Flywheel (X85)	1G prefix	1	324.50
	8G2207	Rod brng set, std.	E11001-	1	56.65		11G30	Flywheel (X75)	2G prefix	1	236.50
	8G220710	0.01			56.65		1G681	Flywheel (X65)	1500	1	236.50
	8G220720	0.02			56.65	29	1G2984	Dowel	E11001-	2	5.23
	8G220730	0.03			56.65	30	1G1390	Ring gear	-E11000	1	214.50
	8G220740	0.04			56.65		1G2874	Ring gear	E11001-	1	93.78
8	1G1232	Crankshaft (X195)	1G prefix	1	170.50	31	1G1366	Tappet	-1H142718	8	21.73
	11G73	Crankshaft (X195)	- 2G14674	1	170.50		11G240	Tappet	1H142719-	8	14.25
	1H753	Crankshaft (X195)	2G14675-	1	170.50	32	ALT-46	Pushrod (U)	1G prefix	8	17.60
9	1G765	Pilot bush		1	4.13		1G2380	Pushrod (U)	2G-1H142718	8	14.30
10	811 0121	Bolt (U)	-E11000	6	15.40		11G241	Pushrod	1H142719-	8	7.65
	51K1022	Bolt	E11001-	6	9.63	33	1G1318	Pulley (U)	-2G14667	1	82.50
11	6K26	Locktab		3	4.02		11G81	Pulley	2G14668-	1	143.28
12	811 0123	Nut	-E11000	6	5.23	34	1G1319	Locktab		1	1.71
	FNZ506	Nut	E11001-	6	0.83	35	1A2029	Starting jaw (U)	-E11000	1	38.50
13	P220	Main brng set, std.	-E11000	1	108.90		1G2316	Starting jaw	E11001-	1	37.24
	P220E	0.002			108.90						
	P220A	0.01			137.50						
	P220B	0.02			137.50						
	P220C	0.03			108.90						
	P220D	0.04			137.50						
	8G2175	Main brng set, std.	E11001-	1	60.78						
	8G217510	0.01			60.78						
	8G217520	0.02			60.78						
	8G217530	0.03			60.78						
	8G217540	0.04			60.78						
							PG1	Plastigauge, sleeve		1	3.25
								(critical for measuring main & rod bearing clearances during engine assembly)			
							L0034-094	#105 Motor Assembly Lube, 10 oz		1	10.73
								(Oil soluble white grease for general engine assembly)			



No	Part #	Description	Application	Qty Req	Price Each	No	Part #	Description	Application	Qty Req	Price Each
	G4-59	Cylinder head assy (X650)	1G prefix	1	687.50	22	1G1441	Rocker (U)	-E11000	8	35.20
	G4-436	Cylinder head assy (X395)	2G prefix	1	599.50	11G45	Rocker	E11001-	8	4.84	
	48G201	Cylinder head assy (X325)	1500	1	242.00	23	1G2295	Bush	E11001-	8	4.84
1	1A2116	Guide, intake	-E11000	4	3.58	24	ALT-56	Adjusting screw (U)	-E11000	8	5.50
	11G313	Guide, intake	E11001-	4	4.79	48G207	Adjusting screw	E11001-	8	3.80	
2	1G1332	Guide, exhaust	-E11000	4	4.13	25	2K8492	Nut	-E11000	8	4.68
	11G193	Guide, exhaust	E11001-	4	4.13	51K1178	Nut	E11001-	9	1.38	
3	6K872	Plug	E11001-	1	1.05	26	2A258	Locating screw	E11001-	1	3.58
4	2K8565	Stud, short	-E11000	2	16.23	27	2A259	Locating plate	E11001-	1	4.68
	51K881	Stud, short	E11001-	2	1.71	28	1A2139	Spring washer		2	-
5	6K488	Stud, long	-E11000	2	17.33	29	2K6804	Washer		2	1.05
	51K893	Stud, long	E11001-	2	2.04	30	1A2142	Head gasket	-E11000	1	46.75
6	811 0251	Stud	-E11000	3	14.03	12H60	Head gasket	E11001-	1	36.58	
	53K531	Stud	E11001-	3	1.71	31	PWN106	Washer		11	1.05
7	1G1693	Intake valve	-E11000	4	36.03	32	2K3799	Nut	-E11000	11	4.13
	11G310	Intake valve	E11001-	4	16.78	51K371	Nut	E11001-	11	1.93	
8	1A2119	Exhaust valve	-E11000	4	38.23	33	811 0256	Plug (U)	-E11000	1	12.10
	1H1330	Exhaust valve	E11001-	4	25.03	1G2953	Plug (U)	E11001-	1	6.60	
9	6K504	Spring set	-E11000	1	59.40	34	1B3664	Washer	E11001-	1	1.05
	1G2887	Spring set	E11001-	1	52.53	35	2A2252	Valve cover (U)	-E11000	1	50.60
10	1G2379	Shroud		8	5.34	1H1339	Valve cover (U)	E11001-	1	39.60	
11	AEK113	Ring	1H217136-	1	269.50	36	8G615	Cap & cable		1	23.10
12	811 0143	Cup (U)	-E11000	8	7.15	37	1A2155	Valve cover gasket	-E11000	1	14.03
	1A2122	Cup	E11001-	8	12.38	12H37	Valve cover gasket	E11001-	1	5.78	
13	811 0146	Cotter (U)	-E11000	16	8.80	38	2K8568	Bushing		2	1.05
	1K800	Cotter	E11001-	16	16.23	39	1A2156	Washer		2	1.49
14	1K372	Circlip		8	2.48	40	1B2925	Distance piece		2	2.48
15	2K3451	Stud	-E11000	2	12.93	41	1A2157	Nut	-E11000	2	13.48
	FHS2512	Stud	E11001-	2	1.54	2A150	Nut	E11001-	2	4.35	
16	1G2075	Rocker shaft	-E11000	1	203.50	42	1G2243	Elbow (U)		1	9.35
	11G62	Rocker shaft	E11001-	1	38.89	43	1G2342	Gasket		1	1.76
17	6K878	Plug		1	18.98	44	811 1234	Return pipe (U)	-E11000	1	50.60
18	2K4608	Screw plug		1	-	1G2918	Return pipe (U)	E11001-	1	0.00	
19	ALT-41	Bracket, tapped (U)	-E11000	1	30.80	45	1G2351	Thermostat housing		1	43.73
	1H1419	Bracket, tapped	E11001-	1	42.63	46	1A2149	Gasket		1	1.38
20	ALT-42	Bracket, plain (U)	-E11000	3	30.80	47	811 2398	Thermostat, 160'		1	9.08
	1H1420	Bracket, plain	E11001-	3	30.09	11G291	180'		1	9.08	
21	2K8567	Spring (U)	-E11000	3	7.70	48	3H2006	Spark plug		4	4.02
	6K871	Spring	E11001-	3	1.71						