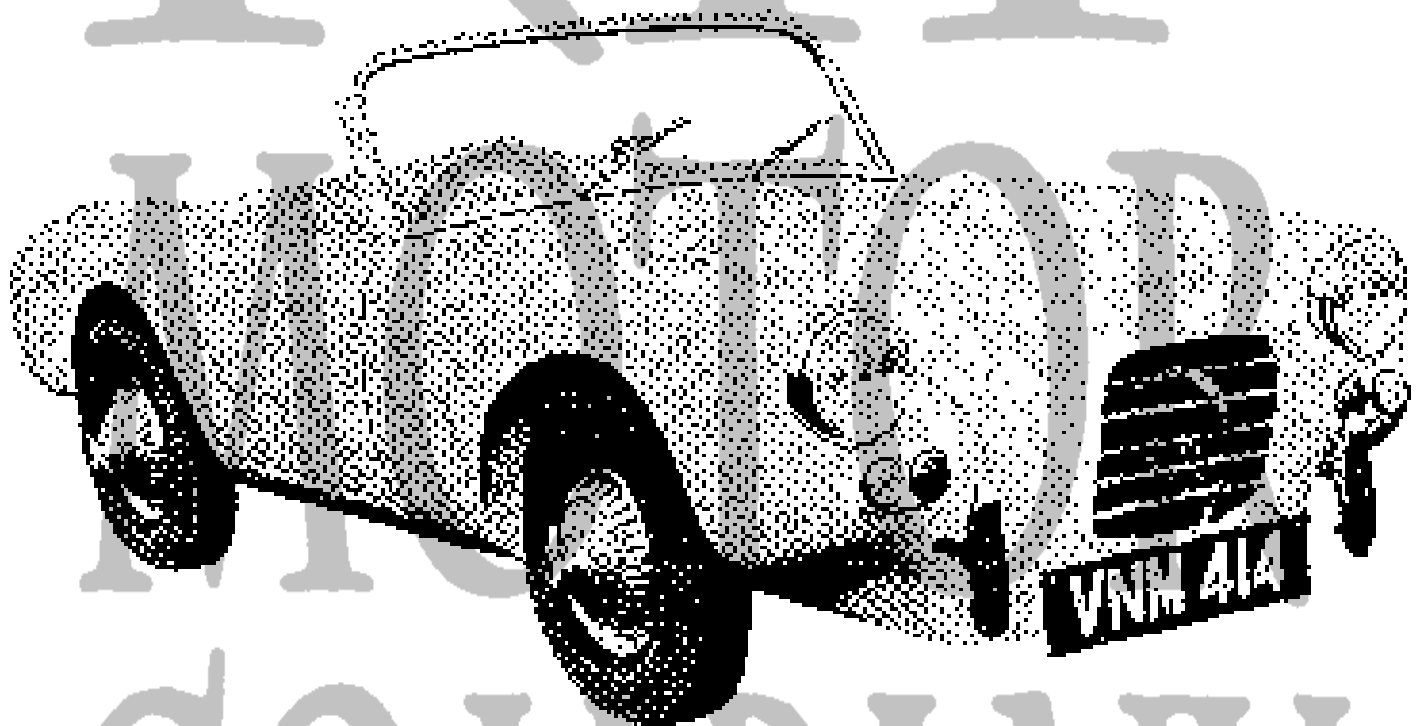


The Berkeley Book

Mk IV



One Call Does It All!

Sales, Service, Restoration & PARTS

SE328, SE492, T60 & B95 Models

Kip Motor Company is a full service antique automobile parts, restoration and repair facility. We perform complete or partial restorations on a wide variety of British automobiles. Our many projects range from show cars to daily drivers.

Using this Catalog

Parts listed in this catalog are currently available, normally stocked items or those planned for production. **Quantity** represents the number of pieces required for the car; **price** is for each or one item. Unless otherwise indicated, all items are New or New Old Stock. **(X)** - indicates rebuilt items sold *exchange only*. Your rebuildable part must be received in exchange before one is shipped. A number following in the parenthesis indicates items where cores are generally available. The number represents a core charge that will be added to your invoice, *where cores are available*. The core charge is refunded upon receipt of your rebuildable core. **(U)** - indicates used parts. Price and availability is subject to change without notice.

Ordering by Phone

Our telephone order lines are open:

Monday through Friday	9:00a.m. - 6:00p.m. CST
Saturday	9:00a.m. - 12 noon CST

Ordering by Mail, E-mail or Fax

Please include: your name, address, telephone number, make, model and year of car, engine & chassis numbers, ship to address and credit card information. If enclosing a check or money order, be sure to enclose sufficient funds to cover shipping charges. Any overage will be refunded. Orders paid by check will be held for two weeks prior to shipping. E-mail address: sales@kipmotor.com

Payments

We accept Visa, Mastercard, American Express & Discover. Please have available your credit card number, expiration date, name and address of card holder and telephone number. COD orders are usually accepted, an additional \$8 fee will be incurred. Air, truck freight and international shipments must be pre-paid.

Warranty

All parts are warranted against defects in material and workmanship for a period of one year from date of shipment. If a part fails in service, it will be exchanged for a similar part whenever available. This warranty covers only the part and does not include labor or failure of a related component. In no case would the liability of KMC exceed the cost of the original part.

Shipping

Orders are shipped ground freight unless otherwise specified. Expedited and air delivery is available at extra cost. Oversize and

heavy items are shipped via truck, freight collect. International and overseas orders may be shipped by post, UPS or other means as required. International customers should indicate their preference at time of order. If your shipment arrives damaged, notify the carrier immediately, before contacting KMC for further instructions.

For orders within the 48 contiguous United States, shipping and handling charges will be added to invoices at the following rates:

Order Total	Shipping Charge
\$.00 - 20.00	\$9.00
20.01 - 50.00	12.00
50.01 - 75.00	15.00
75.01 - 100.00	20.00
100.01 - 150.00	25.00
150.01 - 250.00	29.00
250.01 - 350.00	33.00
350.01 - 500.00	36.00
500.01 - 1,000.00	39.00
1,000.01 +	FREE GROUND SHIPPING

Shipping charges to other areas will vary accordingly.

Returns

Returns are accepted for full refund or exchange up to 90 days from date of purchase (shipment). Returns are accepted for exchange only, up to 180 days from date of purchase (shipment). Special orders and returns exceeding the listed limits may or may not be accepted, with or without a restocking fee, at the discretion of KMC. Returns must be accompanied by a copy of the original invoice. Include a note indicating the reason for return. All items must be in the same condition as shipped.

Items cut, fitted, painted, etc., will not be accepted.

Backorders

We normally stock all items in our catalog. From time to time some items may be temporarily out of stock or no longer available. These items will be indicated as backordered on your invoice. In most cases, backordered items will ship within 1-2 weeks. Occasionally certain items take longer. Any backordered item not shipped within 60 days of the original order will be automatically dropped unless specifically requested otherwise.

Other Catalogs Available

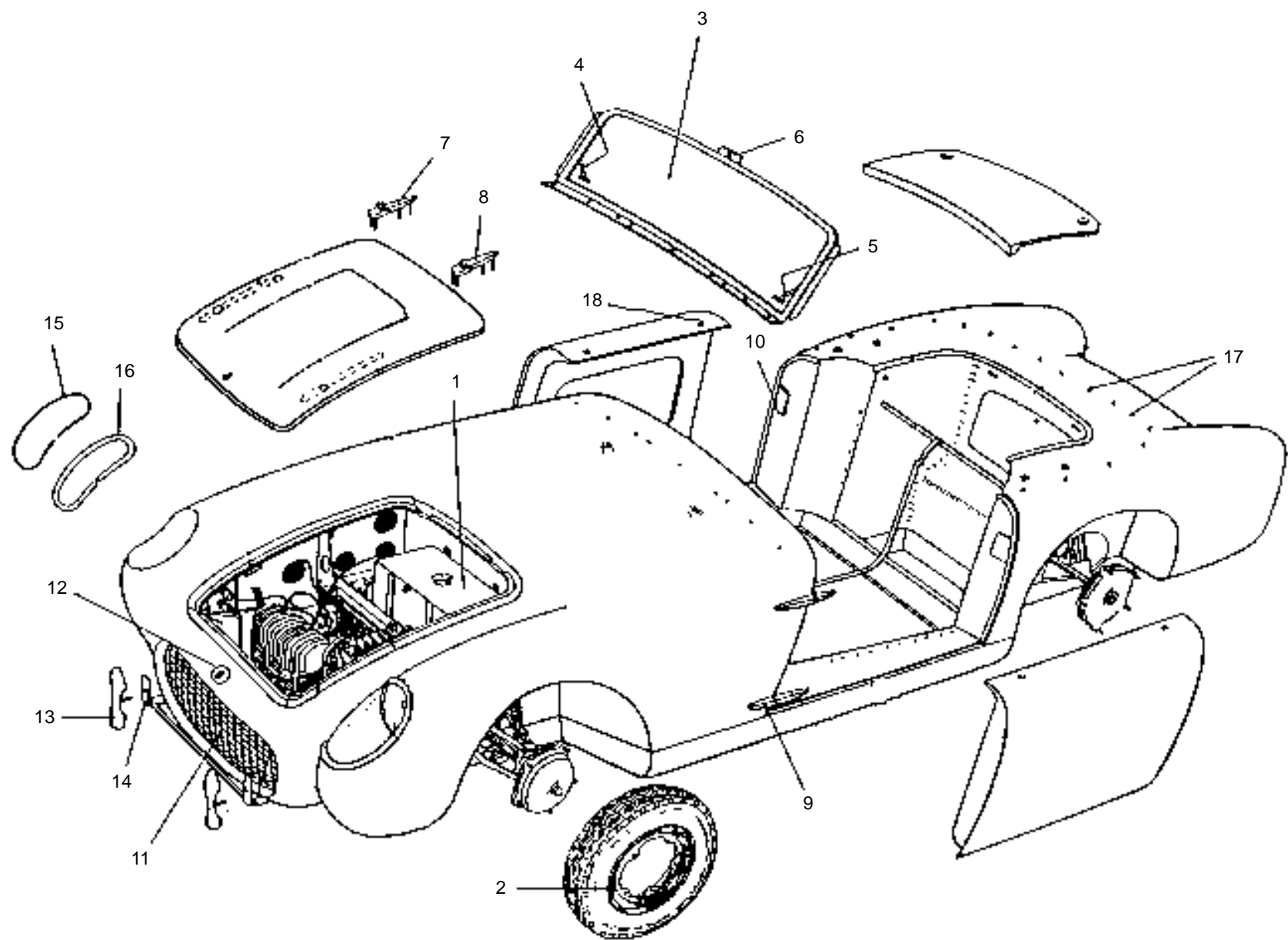
KMC has parts and catalogs for many British cars and commercial vehicles. Other catalogs available at the time of printing include:

The Metropolitan Book	
The London Taxi Book	(Austin FX3/FX4/FL1/FL2 & Beardmore)
The Orphan Book	(vehicles not covered in specific catalog)

© Copyright 2011 - Kip Motor Company, Inc.

All rights reserved. No part of this publication may be copied, reproduced, stored in any retrieval system, communicated or transmitted in any form or means without the express written permission of Kip Motor Company, Inc.

No	Part #	Description of Item	Application	Qty Req	Price Each	No	Part #	Description of Item	Application	Qty Req	Price Each	
MANUALS												
	SM-175	Shop manual	Excelsior versions	1	44.72	MB331	Switch, ignition	Lucas replacement	1	60.20		
	PC-175	Parts catalog		1	26.57	MB331/1	Cylinder & key (for Lucas replacement switch)		1	11.80		
FUEL SYSTEM												
E3041		Gasket, inlet manifold	Excelsior	2/3	11.20	MB1066	Switch, push on - horn/starter	Lucas replacement	2	72.30		
E3221		Gasket, carburettor/manifold	"	2/3	5.15	MB1068	Switch, pull on/off - wiper or panel		2	51.73		
MB1000/22		Gasket, exhaust manifold	"	2/3	16.04	MB1069	Switch, head & sidelamps	Lucas replacement	1	78.05		
MB1056		Front engine mount (X)	all	2	50.82	MB1069A	Knob, wiper/panel/headlamp	screw-on original	3	19.36		
MB1102		Rear engine mount (X)	all	1	62.92	MB1069B	Knob, wiper/panel/headlamp	replacement switch/A/R	1	21.78		
				0.00		MB364	Switch, headlamp dip	replacement	1	48.10		
MB379/1		Carburettor, Amal 376 (X)	all	A/R	235.95	MB753	Switch, turn signal	replacement	1	84.40		
MB1051		Fuel tank	SE328/T60	1	695.75	MB339/9	Switch, stop lamp	all	1	28.44		
MB220/11		Fuel gauge, tank unit	replacement	1	238.32	MB387	Horn		1	57.48		
				0.00		MB326	Speedometer, 0-90mph	Smith's replacement	1	223.85		
MB107/19		Master cylinder	all	1	170.92	MB326/2	Fuel gauge, dash unit	Smith's replacement	1	163.35		
MB107/24		Repair kit, master cylinder	"	1	23.90	MB326/3	Ammeter	Smith's replacement	1	163.35		
MB107/11		Front wheel cylinder, LH	alloy type (early)	2	199.65	MB715	Warning light, red	Lucas replacement	1	66.55		
MB107/12		Front wheel cylinder, RH	"	2	199.65	MB715A	Warning light, green	Lucas replacement	1	66.55		
MB107/14		Repair kit, FWC	"	1	46.89	MB388	Coil, ignition		2/3	0.00		
MB107/33		Front wheel cylinder, LH	cast iron type (late)	2	48.10	CB/3/9	Contact set, ignition	SE328	2	90.75		
MB107/34		Front wheel cylinder, RH	"	2	48.10	CBA/R/9.5	Contact set, ignition	SE492	3	90.75		
MB127/13		Repair kit, FWC	"	1	46.89	CON	Condensor, ignition		2/3	0.00		
MB127/12		Rear wheel cylinder	w/alloy frt cylinders	2	199.65	MB720/LD	Headlamp assy		2	154.88		
MB107/13		Repair kit, RWC	"	1	23.90	MB274/1	Retainer		2	21.00		
MB127/14		Lever, handbrake actuating	"	2	33.88	MB274/5	Bulb		2	9.26		
MB127/25		Rear wheel cylinder	w/CI front cylinders	2	39.03	MB325	Sidelamp	early	2	54.03		
MB127/27		Repair kit, RWC	"	1	20.27	MB325/1	Lens, clear	"	2	17.61		
MB127/28		Lever, handbrake actuating	"	2	30.56	MB325A	Sidelamp	late	2	57.48		
MB127/15		Bleed screw	all	4	4.54	MB325A/1	Lens, clear	"	2	19.06		
MB107/7		Brake shoe set, front (X75)	w/alloy frt cylinders	1	62.92	MB344	Stop/tail lamp, flat	early	2	57.48		
MB107/29		Brake shoe set, front (X95)	w/CI front cylinders	1	62.92	MB344/1	Lens, red	"	2	15.13		
MB127/6		Brake shoe set, rear (X50)	w/alloy frt cylinders	1	62.92	MB745	Stop/tail lamp, conical	late	2	57.48		
MB127/22		Brake shoe set, rear (X20)	w/CI frt cylinders	1	50.82	MB745/1	Lens, red	"	2	20.52		
MB127/23		Brake shoe set, rear (X10)	T60	1	26.62	MB325/2	Rim, stop/tail & sidelamp	all	4	11.01		
MB107/9		Spring, frt shoe return	all	4	12.41	MB325/3	Body, stop/tail & sidelamp	"	4	7.57		
MB217/7		Spring, r shoe return-cyl end	"	2	9.99	MB325/4	Bulb, stop/tail & sidelamp	"	4	1.76		
MB217/7A		Spring, r shoe return-adj end	"	2	9.98	MB726	Number plate lamp		1	133.10		
MB127/8		Adjuster assembly, rear	"	2	53.19	MB726/1	Lens, clear		1	18.15		
MB339/10		Brake hose, front - 14"	"	2	47.50	MB726/2	Cover		1	27.83		
MB339/11		Brake hose, rear - 12.5"	"	2	43.26	MB726/3	Gasket		1	8.42		
MB109/10		Brake line, cylinder/cylinder	"	2	16.04	MB726/4	Bulb		1	1.76		
MB339/1		master to 5-way connector	"	1	19.06	MB719	Reflector, rear		2	59.60		
MB339/2		5-way to front LH hose	"	1	16.04	75297	Wiper motor (150X)		1	272.25		
MB339/3		5-way to front RH hose	"	1	23.90	745089	Wiper arm		A/R	54.45		
MB339/12		5-way to rear 3-way	"	1	48.10	737910	Wiper blade		A/R	23.30		
MB339/13		3-way to rear LH hose	"	1	14.22							
MB339/14		3-way to rear RH hose	"	1	23.90	3	MB299/4	Glass, windscreen		1	816.75	
MB339/15		Brake line connector, 3-way	"	1	26.93	4	MB299/10	Bracket, windscreen support, RH		1	118.58	
LMA		Brake fluid	12 oz	A/R	8.17	5	MB299/11	Bracket, windscreen support, LH		1	118.58	
USE ONLY CASTROL GT LMA BRAKE FLUID												
The seals & hoses in your brake system are made from natural rubber which is only compatible with vegetable based brake fluid. Castrol GT LMA is the only vegetable based fluid generally available in the US. Use of improper or mixing of fluids can lead to complete brake failure.												
SUSPENSION & STEERING												
MB357		Steering wheel (X)		1	356.95	6	MB369	Mirror, windscreen	replacement	1	28.44	
MB141/6		Oil seal, front hub		4	48.10	7	MB353	Hinge, bonnet, RH rear or LH front		1	118.58	
MB166/3		Bearing, front wheel		4	120.70	8	MB354	Hinge, bonnet, LH rear or RH front		1	118.58	
MB166/6		Oil seal, rear hub		2	25.72	9	MB340/1	Hinge, door LH		2	118.58	
MB166/3		Bearing, rear wheel inner		2	120.70	MB340/2	Hinge, door, RH		2	118.58		
MB166/4		Bearing, rear wheel outer		2	88.03	MB1044/9	Handle, door (inside)		2	45.98		
MB128		Cap nut, rear brake drum 'B'		2	75.63	10	MB1044/8	Striker assembly, door		2	48.10	
MB141/6		Oil seal, final drive		2	48.10	11	MB736	Grille, square mesh		1	356.95	
MB108/8		Universal joint		4	29.95	12	MB400/11	Berkeley badge		1	90.75	
MB103		Wheel (U)		5	114.95	13	MB1038/1	Override, front & rear (X)		4	296.45	
MB1095		Wheel stud		20	42.96	14	MB1038/3	Bracket, front override		1	118.58	
MB1095A		Wheel nut		20	21.48	MB1038	Bracket, rear override RH		1	68.97		
						MB1038/2	Bracket, rear override LH		1	68.97		
						15	MB358	Cover, headlamp		2	90.75	
						16	MB358/1	Weatherstrip, headlamp cover		2	14.22	
							MB358/2	Filler strip		2	3.03	
							MB302	Door seal		2	54.45	
						17	MB377/9	'Lift-A-Dot' fasteners		A/R	2.24	
							UK-BE1	Upholstery kit, vinyl	seat frame type	1	219.62	
							UK-BE2	"	no frame type	1	645.54	
							C-BK1	Convertible top, vinyl	track on w/s frame	1	477.95	
							C-BK1C	Convertible top, canvas	track on w/s frame	1	901.45	
							C-BK2	Convertible top, vinyl	snap on w/s frame	1	562.65	
							C-BK2C	Convertible top, canvas	snap on w/s frame	1	840.95	
							MB1158/1	Frame, convertible top	SE328/SE492 early	1	272.25	
						18	MB1158/2	Socket assembly, top frame/side curtains		8	43.87	
							SC-BK1	Side curtain set (X)		1	695.75	
							TN-BK1	Tonneau, vinyl		1	308.55	
							TN-BK1C	Tonneau, canvas		1	465.85	
						IF YOU DON'T SEE WHAT YOU NEED LISTED, PLEASE ASK						
MB343		Wiring harness	SE328	1	356.95							
MB1154		Wiring harness	SE492	1	356.95							
LUC2E		Bullet connector, single		A/R	1.40							
LUC4E		Bullet connector, double		A/R	1.76							



Kip Motor Company, Inc.

2127 Crown Road

Dallas, Texas 75229