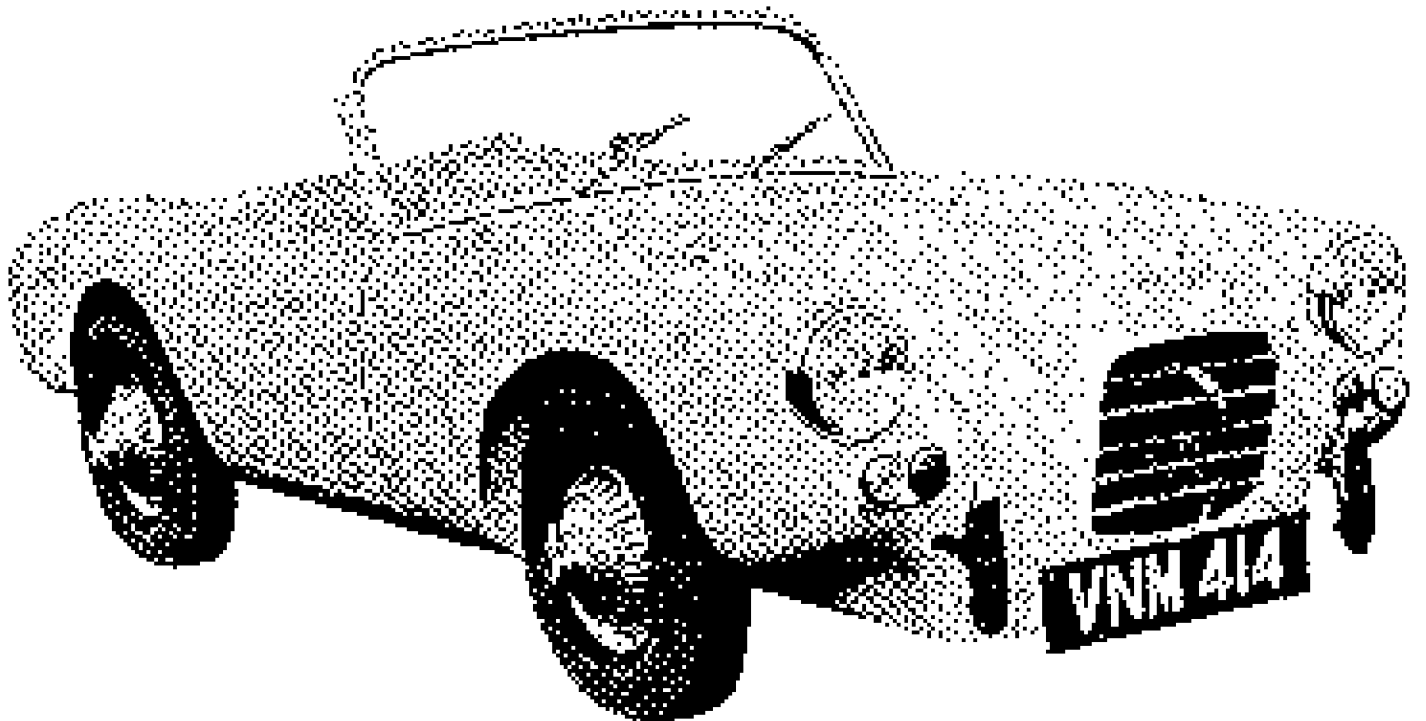


# The Berkeley Book

Mk III



# COMPANY

*One Car Does it All*  
*Sales, Service, Restoration & PARTS*

*SE228 SE402 T60 & B05 Models*

---

---

**Kip Motor Company** is a full service antique automobile parts, restoration and repair facility. We perform complete or partial restorations on a wide variety of British automobiles. Our many projects range from show cars to daily drivers.

## Using this Catalog

Parts listed in this catalog are currently available, normally stocked items or those planned for production. **Quantity** represents the number of pieces required for the car; **price** is for each or one item. Unless otherwise indicated, all items are New or New Old Stock. **(X)** - indicates rebuilt items sold *exchange only*. Your rebuildable part must be received in exchange before one is shipped. A number following in the parenthesis indicates items where cores are generally available. The number represents a core charge that will be added to your invoice, *where cores are available*. The core charge is refunded upon receipt of your rebuildable core. **(U)** - indicates used parts. Price and availability is subject to change without notice.

## Ordering by Phone

Our telephone order lines are open:

Monday through Friday	9:00a.m. - 6:00p.m. CST
Saturday	9:00a.m. - 12 noon CST

## Ordering by Mail, E-mail or Fax

Please include: your name, address, telephone number, make, model and year of car, engine & chassis numbers, ship to address and credit card information. If enclosing a check or money order, be sure to enclose sufficient funds to cover shipping charges. Any overage will be refunded. Orders paid by check will be held for two weeks prior to shipping. E-mail address: [sales@kipmotor.com](mailto:sales@kipmotor.com)

## Payments

We accept Visa, Mastercard, American Express & Discover. Please have available your credit card number, expiration date, name and address of card holder and telephone number. COD orders are usually accepted, an additional \$8 fee will be incurred. Air, truck freight and international shipments must be pre-paid.

## Warranty

All parts are warranted against defects in material and workmanship for a period of one year from date of shipment. If a part fails in service, it will be exchanged for a similar part whenever available. This warranty covers only the part and does not include labor or failure of a related component. In no case would the liability of KMC exceed the cost of the original part.

## Shipping

Orders are shipped ground freight unless otherwise specified. Expedited and air delivery is available at extra cost. Oversize and

heavy items are shipped via truck, freight collect. International and overseas orders may be shipped by post, UPS or other means as required. International customers should indicate their preference at time of order. If your shipment arrives damaged, notify the carrier immediately, before contacting KMC for further instructions.

For orders within the 48 contiguous United States, shipping and handling charges will be added to invoices at the following rates:

Order Total	Shipping Charge
\$.00 - 20.00	\$9.00
20.01 - 50.00	12.00
50.01 - 75.00	15.00
75.01 - 100.00	20.00
100.01 - 150.00	25.00
150.01 - 250.00	29.00
250.01 - 350.00	33.00
350.01 - 500.00	36.00
500.01 - 1,000.00	39.00
1,000.01 +	FREE GROUND SHIPPING

Shipping charges to other areas will vary accordingly.

## Returns

Returns are accepted for full refund or exchange up to 90 days from date of purchase (shipment). Returns are accepted for exchange only, up to 180 days from date of purchase (shipment). Special orders and returns exceeding the listed limits may or may not be accepted, with or without a restocking fee, at the discretion of KMC. Returns must be accompanied by a copy of the original invoice. Include a note indicating the reason for return. All items must be in the same condition as shipped.

*Items cut, fitted, painted, etc., will not be accepted.*

## Backorders

We normally stock all items in our catalog. From time to time some items may be temporarily out of stock or no longer available. These items will be indicated as backordered on your invoice. In most cases, backordered items will ship within 1-2 weeks. Occasionally certain items take longer. Any backordered item not shipped within 60 days of the original order will be automatically dropped unless specifically requested otherwise.

## Other Catalogs Available

KMC has parts and catalogs for many British cars and commercial vehicles. Other catalogs available at the time of printing include:

The Metropolitan Book	
The London Taxi Book	(Austin FX3/FX4/FL1/FL2 & Beardmore)
The Orphan Book	(vehicles not covered in specific catalog)

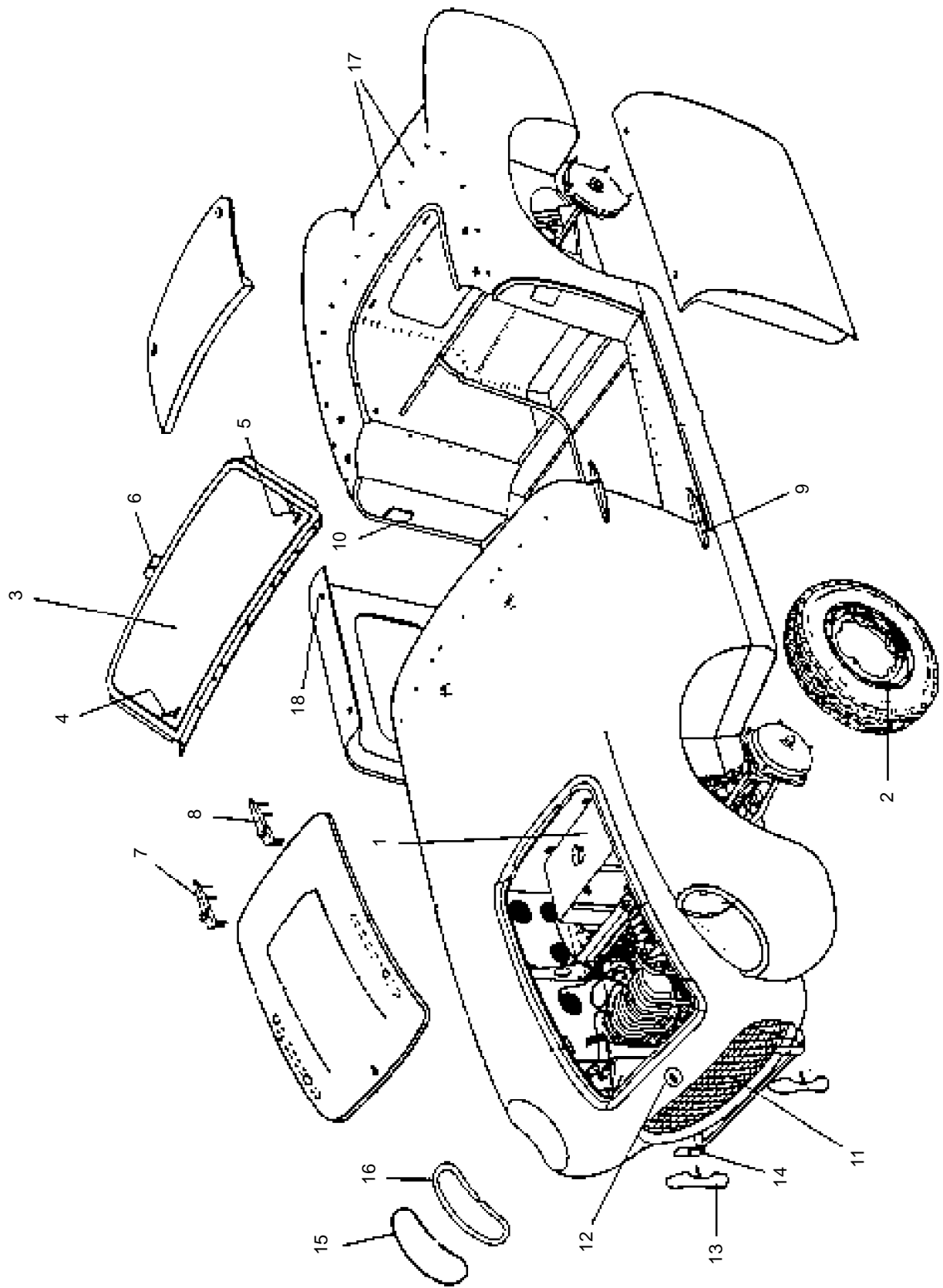
## © Copyright 2008 - Kip Motor Company, Inc.

All rights reserved. No part of this publication may be copied, reproduced, stored in any retrieval system, communicated or transmitted in any form or means without the express written permission of Kip Motor Company, Inc.

No	Part #	Description of Item	Application	Qty Req	Price Each
<b>MANUALS</b>					
	SM-175	Shop manual	Excelsior versions	1	40.65
	PC-175	Parts catalog		1	24.15
<b>ENGINE</b>					
	E3041	Gasket, inlet manifold	Excelsior	2/3	10.18
	E3221	Gasket, carburettor/manifold	"	2/3	4.13
	MB1000/22	Gasket, exhaust manifold	"	2/3	14.58
	MB1056	Front engine mount (X)	all	2	46.20
	MB1102	Rear engine mount (X)	all	1	57.20
<b>FUEL SYSTEM</b>					
1	MB379/1	Carburettor, Amal 376 (X)	all	A/R	214.50
	MB1051	Fuel tank	SE328/T60	1	632.50
	MB220/11	Fuel gauge, tank unit	replacement	1	216.65
<b>BRAKES</b>					
	MB107/19	Master cylinder	all	1	155.38
	MB107/24	Repair kit, master cylinder	"	1	21.73
	MB107/11	Front wheel cylinder, LH	alloy type (early)	2	181.50
	MB107/12	Front wheel cylinder, RH	"	2	181.50
	MB107/14	Repair kit, FWC	"	1	42.66
	MB107/33	Front wheel cylinder, LH	cast iron type (late)	2	43.73
	MB107/34	Front wheel cylinder, RH	"	2	43.73
	MB127/13	Repair kit, FWC	"	1	43.73
	MB127/12	Rear wheel cylinder	w/alloy frt cylinders	2	181.50
	MB107/13	Repair kit, RWC	"	1	21.73
	MB127/14	Lever, handbrake actuating	"	2	30.80
	MB127/25	Rear wheel cylinder	w/CI front cylinders	2	35.48
	MB127/27	Repair kit, RWC	"	1	18.43
	MB127/28	Lever, handbrake actuating	"	2	27.78
	MB127/15	Bleed screw	all	4	4.13
	MB107/7	Brake shoe set, front (X75)	w/alloy frt cylinders	1	57.20
	MB107/29	Brake shoe set, front (X95)	w/CI front cylinders	1	57.20
	MB127/6	Brake shoe set, rear (X50)	w/alloy frt cylinders	1	46.20
	MB127/22	Brake shoe set, rear (X20)	w/CI frt cylinders	1	24.20
	MB127/23	Brake shoe set, rear (X10)	T60	1	24.20
	MB107/9	Spring, frt shoe return	all	4	11.28
	MB217/7	Spring, r shoe return-cyl end	"	2	9.08
	MB217/7A	Spring, r shoe return-adj end	"	2	9.08
	MB127/8	Adjuster assembly, rear	"	2	48.35
	MB339/10	Brake hose, front - 14"	"	2	43.18
	MB339/11	Brake hose, rear - 12.5"	"	2	14.58
	MB109/10	Brake line, cylinder/cylinder	"	2	17.33
	MB339/1	master to 5-way connector	"	1	14.58
	MB339/2	5-way to front LH hose	"	1	21.73
	MB339/3	5-way to front RH hose	"	1	43.73
	MB339/12	5-way to rear 3-way	"	1	12.93
	MB339/13	3-way to rear LH hose	"	1	21.73
	MB339/14	3-way to rear RH hose	"	1	20.08
	MB339/15	Brake line connector, 3-way	"	1	24.48
	LMA	Brake fluid	12 oz	A/R	5.23
<b>USE ONLY CASTROL GT LMA BRAKE FLUID</b>					
The seals & hoses in your brake system are made from natural rubber which is only compatible with vegetable based brake fluid. Castrol GT LMA is the only vegetable based fluid generally available in the US. Use of improper or mixing of fluids can lead to complete brake failure.					
<b>SUSPENSION &amp; STEERING</b>					
	MB357	Steering wheel (X)		1	324.50
	MB141/6	Oil seal, front hub		4	43.73
	MB166/3	Bearing, front wheel		4	109.73
	MB166/6	Oil seal, rear hub		2	23.38
	MB166/3	Bearing, rear wheel inner		2	109.73
	MB166/4	Bearing, rear wheelouter		2	80.03
	MB128	Cap nut, rear brake drum 'B'		2	68.75
	MB141/6	Oil seal, final drive		2	43.73
	MB108/8	Universal joint		4	27.23
2	MB103	Wheel (U)		5	104.50
	MB1095	Wheel stud		20	39.05
	MB1095A	Wheel nut		20	19.53
<b>ELECTRICAL</b>					
	MB343	Wiring harness	SE328	1	324.50
	MB1154	Wiring harness	SE492	1	324.50
	LUC2E	Bullet connector, single		A/R	0.94
	LUC4E	Bullet connector, double		A/R	1.60

No	Part #	Description of Item	Application	Qty Req	Price Each
	MB331	Switch, ignition	Lucas replacement	1	54.73
	MB331/1	Cylinder & key (for Lucas replacement switch)		1	10.73
	MB1066	Switch, push on - horn/starter	Lucas replacement	2	65.73
	MB1068	Switch, pull on/off - wiper or panel		2	52.53
	MB1069	Switch, head & sidelamps	Lucas replacement	1	70.95
	MB1069A	Knob, wiper/panel/headlamp	screw-on original	3	17.60
	MB1069B	Knob, wiper/panel/headlamp	replacement switch/A/R	1	19.80
	MB364	Switch, headlamp dip	replacement	1	43.73
	MB753	Switch, turn signal	replacement	1	76.73
	MB339/9	Switch, stop lamp	all	1	25.85
	MB387	Horn		1	52.25
	MB326	Speedometer, 0-90mph	Smith's replacement	1	203.50
	MB326/2	Fuel gauge, dash unit	Smith's replacement	1	148.50
	MB326/3	Ammeter	Smith's replacement	1	148.50
	MB715	Warning light, red	Lucas replacement	1	60.50
	MB715A	Warning light, green	Lucas replacement	1	60.50
	MB388	Coil, ignition		2/3	0.00
	CB/3/9	Contact set, ignition	SE328	2	82.50
	CBA/R/9.5	Contact set, ignition	SE492	3	82.50
	CON	Condenser, ignition		2/3	0.00
	MB720/LD	Headlamp assy		2	140.80
	MB274/1	Retainer		2	19.09
	MB274/5	Bulb		2	8.42
	MB325	Sidelamp	early	2	49.12
	MB325/1	Lens, clear	"	2	16.01
	MB325A	Sidelamp	late	2	52.25
	MB325A/1	Lens, clear	"	2	17.33
	MB344	Stop/tail lamp, flat	early	2	52.25
	MB344/1	Lens, red	"	2	13.75
	MB745	Stop/tail lamp, conical	late	2	52.25
	MB745/1	Lens, red	"	2	18.65
	MB325/2	Rim, stop/tail & sidelamp	all	4	10.01
	MB325/3	Body, stop/tail & sidelamp	"	4	6.88
	MB325/4	Bulb, stop/tail & sidelamp	"	4	1.60
	MB726	Number plate lamp		1	121.00
	MB726/1	Lens, clear		1	16.50
	MB726/2	Cover		1	25.30
	MB726/3	Gasket		1	7.65
	MB726/4	Bulb		1	1.60
	MB719	Reflector, rear		2	54.18
	75297	Wiper motor (150X)		1	247.50
	745089	Wiper arm	A/R		49.50
	737910	Wiper blade	A/R		21.18
	MB299/4	Glass, windscreen		1	797.50
	MB299/10	Bracket, windscreen support, RH		1	107.80
	MB299/11	Bracket, windscreen support, LH		1	107.80
	MB369	Mirror, windscreen	replacement	1	25.85
	MB353	Hinge, bonnet, RH rear or LH front		1	107.80
	MB354	Hinge, bonnet, LH rear or RH front		1	107.80
	MB340/1	Hinge, door LH		2	107.80
	MB340/2	Hinge, door, RH		2	107.80
	MB1044/9	Handle, door (inside)		2	41.80
	MB1044/8	Striker assembly, door		2	43.73
	MB736	Grille, square mesh		1	324.50
	MB400/11	Berkeley badge		1	82.50
	MB1038/1	Override, front & rear (X)		4	82.50
	MB1038/3	Bracket, front override		1	107.80
	MB1038	Bracket, rear override RH		1	62.70
	MB1038/2	Bracket, rear override LH		1	62.70
	MB358	Cover, headlamp		2	82.50
	MB358/1	Weatherstrip, headlamp cover		2	12.93
	MB358/2	Filler strip		2	2.75
	MB302	Door seal		2	49.50
	MB377/9	'Lift-A-Dot' fasteners		A/R	2.04
	UK-BE1	Upholstery kit, vinyl	seat frame type	1	181.50
	UK-BE2	"	no frame type	1	533.50
	C-BK1	Convertible top, vinyl	track on w/s frame	1	544.50
	C-BK1C	Convertible top, canvas	track on w/s frame	1	819.50
	C-BK2	Convertible top, vinyl	snap on w/s frame	1	511.50
	C-BK2C	Convertible top, canvas	snap on w/s frame	1	764.50
	MB1158/1	Frame, convertible top	SE328/SE492 early	1	247.50
	MB1158/2	Socket assembly, top frame/side curtains		8	39.88
	SC-BK1	Side curtain set (X)		1	632.50
	TN-BK1	Tonneau, vinyl		1	280.50
	TN-BK1C	Tonneau, canvas		1	423.50

\*\*IF YOU DON'T SEE WHAT YOU NEED LISTED, PLEASE ASK\*\*



**Kip Motor Company, Inc.**  
2127 Crown Road  
Dallas, Texas 75229